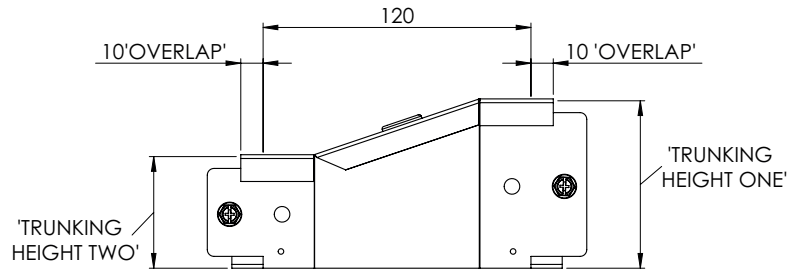
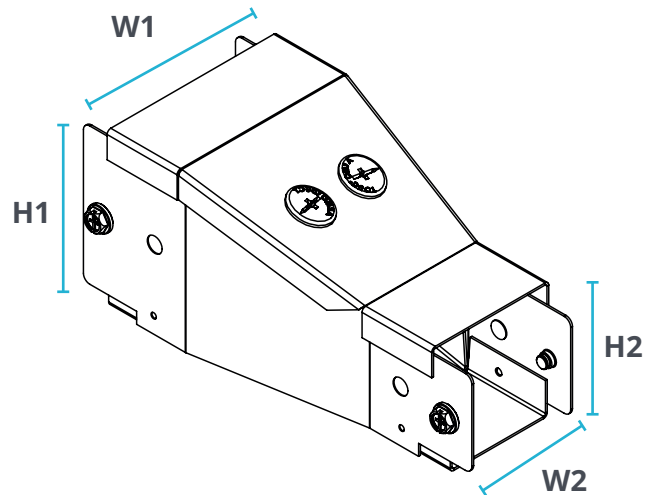
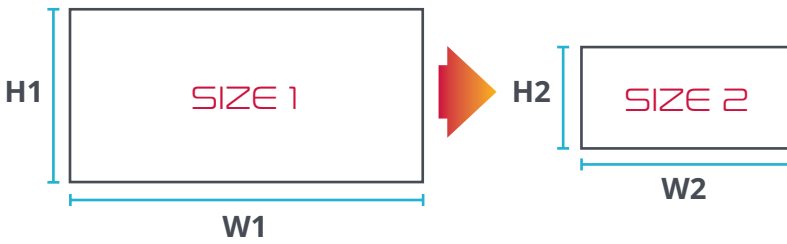


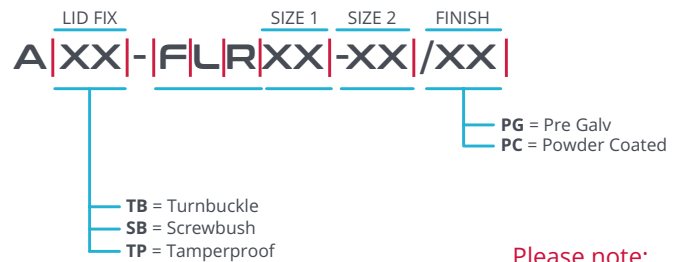
ATB-FLR



FLARED REDUCER GUIDE



| | SIZE 1 | | SIZE 2 | |
|-------|--------|----|--------|----|
| SIZE | W1 | H1 | W2 | H2 |
| 50mm | 2 | 2 | 2 | 2 |
| 75mm | 3 | 3 | 3 | 3 |
| 100mm | 4 | 4 | 4 | 4 |
| 150mm | 6 | 6 | 6 | 6 |
| 200mm | 8 | 8 | 8 | 8 |
| 225mm | 9 | 9 | 9 | 9 |
| 300mm | 12 | 12 | 12 | 12 |



Please note:
SIZE 1 area must be greater than
SIZE 2

Example:

